



HAND PALLET TRUCK

- Stable welding or galvanized pump
- More than 20 years experience
- Non-standard are optional

Advantages

Capacity: 2000kg/2500kg/3000kg/5000kg
 Excellent quality and performance come from advanced design and strict quality control
 Option of PU/Nylon/Rubber wheels, also single/tandem wheels can be chosen
 Stable galvanized casting hydraulic pump, robust and durable, with good control of lowering speed/overload valve
 Ergonomically designed handle with comfortable rubber grip make operation safe and comfortable.

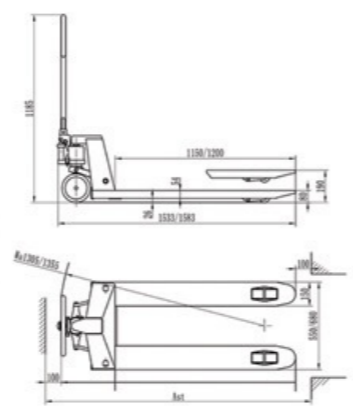
Wheels:

Different coating material for both steering wheel and loading wheel
 PU (polyurethane) wheel: Ideal for delicate floors with hard wearing and non-marking property, quiet and durable
 Nylon wheel: low drag efforts, high resistance to chemicals, non-marking, preferred in food, fishing and chemical industries with smooth level floors
 Rubber: best choice for quiet and durable demands, ideal for smooth and rough floors

| Model | | DF20/DF25/DF30 | HPT20/HPT25/HPT30 |
|------------------------|----|-----------------|-------------------|
| Capacity | kg | 2000/2500/3000 | |
| Min. fork height | mm | 75/85 | |
| Max. fork height | mm | 190/200 | |
| Steering wheel | mm | Φ180x50 | |
| Loading wheel, single | mm | Φ72x93 | |
| Loading wheel, tandem | mm | Φ72x70 | |
| Fork dimension L×b | mm | 150x50 | |
| Outside width of forks | mm | 520/550/685 | |
| fork length | mm | 1150/1220 | |
| Wheel type | | Nylon/PU/Rubber | |



Scale is optional



Cold Storage Equipment

Hot Galvanized Pallet Truck Specifications

| Model | HGGPT-20/25/30 | | | | | | | |
|------------------|----------------|---------------------------------|------|------|------|---------------------------------|------|------|
| Capacity | kg | 2000 | 2500 | 3000 | lb | 4400 | 5500 | 6600 |
| Fork width | mm | 540 | 685 | | inch | 21 | 27 | |
| Fork length | mm | 1150 | 1500 | 1220 | inch | 43 | 45 | 48 |
| Min .fork height | mm | 74 | 85 | | inch | 2.9 | 3.3 | |
| Max .fork height | mm | 190 | 200 | | inch | 7.5 | 7.9 | |
| Load roller | | Single/tandem nylon polyurethan | | | | Single/tandem nylon polyurethan | | |
| Steering wheel | | Nylon/polyurethane/rubber | | | | Nylon/polyurethane/rubber | | |
| Weight | kg | 82 | | | lb | 180 | | |

■ Anti-corrosion and outdoor working available



Stainless Steel pallet truck (304) Specifications

| Model | HPT20S/HPT25S/HPT30S | | | | | | | |
|------------------|----------------------|---------------------------------|------|------|------|---------------------------------|------|------|
| Capacity | kg | 2000 | 2500 | 3000 | lb | 4400 | 5500 | 6600 |
| Fork width | mm | 540 | 685 | | inch | 21 | 27 | |
| Fork length | mm | 1100 | 1150 | 1220 | inch | 43 | 45 | 48 |
| Min .fork height | mm | 74 | 85 | | inch | 2.9 | 3.3 | |
| Max .fork height | mm | 190 | 200 | | inch | 7.5 | 7.9 | |
| Load roller | | Single/tandem nylon polyurethan | | | | Single/tandem nylon polyurethan | | |
| Steering wheel | | Nylon/polyurethane/rubber | | | | Nylon/polyurethane/rubber | | |
| Weight | kg | 82 | | | lb | 180 | | |

■ Ideal for food, fishing, pharmaceutical, chemical industries and other aggressive environmental areas Whole stainless steel parts except some nylon and rubber parts



Stainless Steel With Scale Pallet Truck (304) Specifications

| Model | HPT20SS/HPT25SS | | | | | | | |
|------------------|-----------------|---------------------------------|------|--|------|---------------------------------|------|--|
| Capacity | kg | 2000 | 2500 | | lb | 4400 | 5500 | |
| Fork width | mm | 560 | 710 | | inch | 22 | 27 | |
| Fork length | mm | 1150 | 1500 | | inch | 45 | 59 | |
| Min .fork height | mm | 74 | 85 | | inch | 2.9 | 3.3 | |
| Max .fork height | mm | 190 | 200 | | inch | 7.5 | 7.9 | |
| Load roller | | Single/tandem nylon polyurethan | | | | Single/tandem nylon polyurethan | | |
| Steering wheel | | Nylon/polyurethane/rubber | | | | Nylon/polyurethane/rubber | | |
| Weight | kg | 125 | | | lb | 275 | | |

